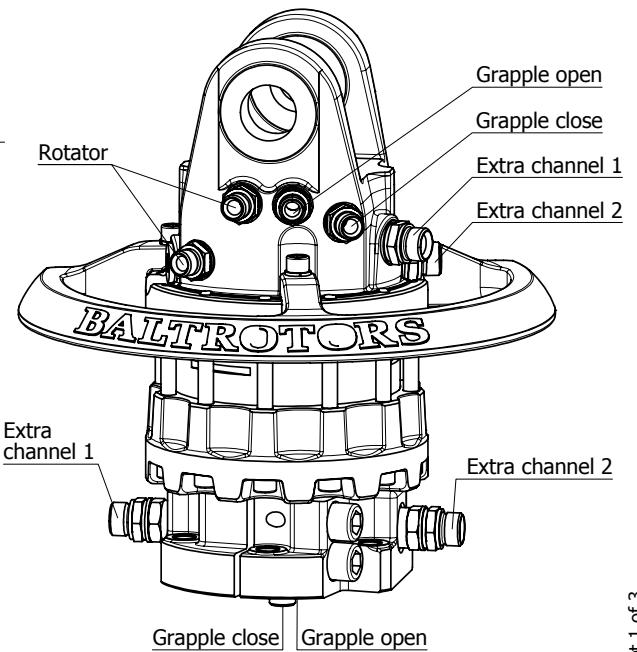
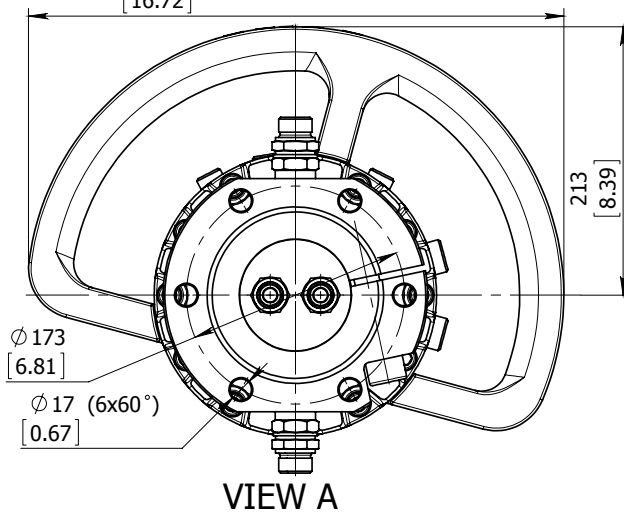
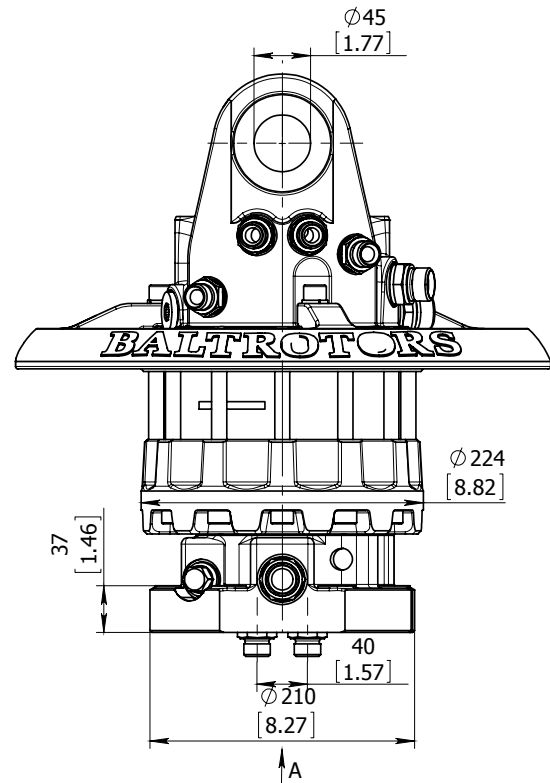
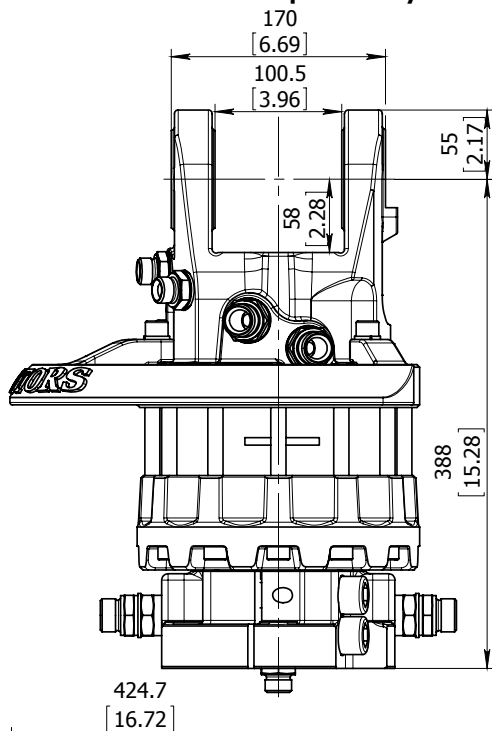


ROTATOR GRS12S

Specially designed for grapple saw



Technical data

Rotation	Unlimited
Max axial load static, KN (lbf)	+120 (26982) -90 (20236)
Max axial load dynamic, KN (lbf)	+60 (13491) -45 (10118)
Torque at 25Mpa (3625psi), Nm (lb ft)	2900 (2139)
Rec oilflow, l/min (US gallon)	35 (9.25)
Weight, kg (lb)	77 (171)

Max working pressure:	Connection:
Rotator	←R→ Max 25 MPa (3625 psi) G 1/2"
Grapple / Tool open	←G→ Max 20 MPa (2900 psi) G 1/2"
Grapple / Tool close	→G← Max 30 MPa (4350 psi) G 1/2"
Extra oil function	1 2 Max 30 MPa (4350 psi) G 3/4"