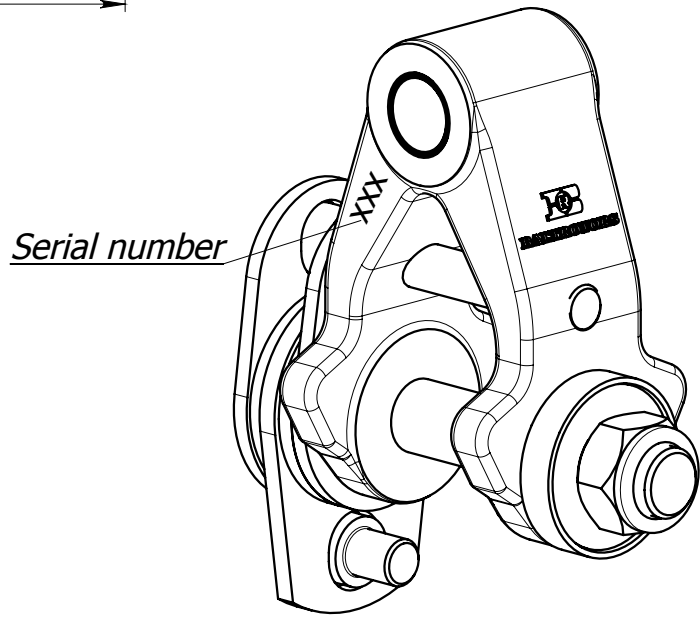
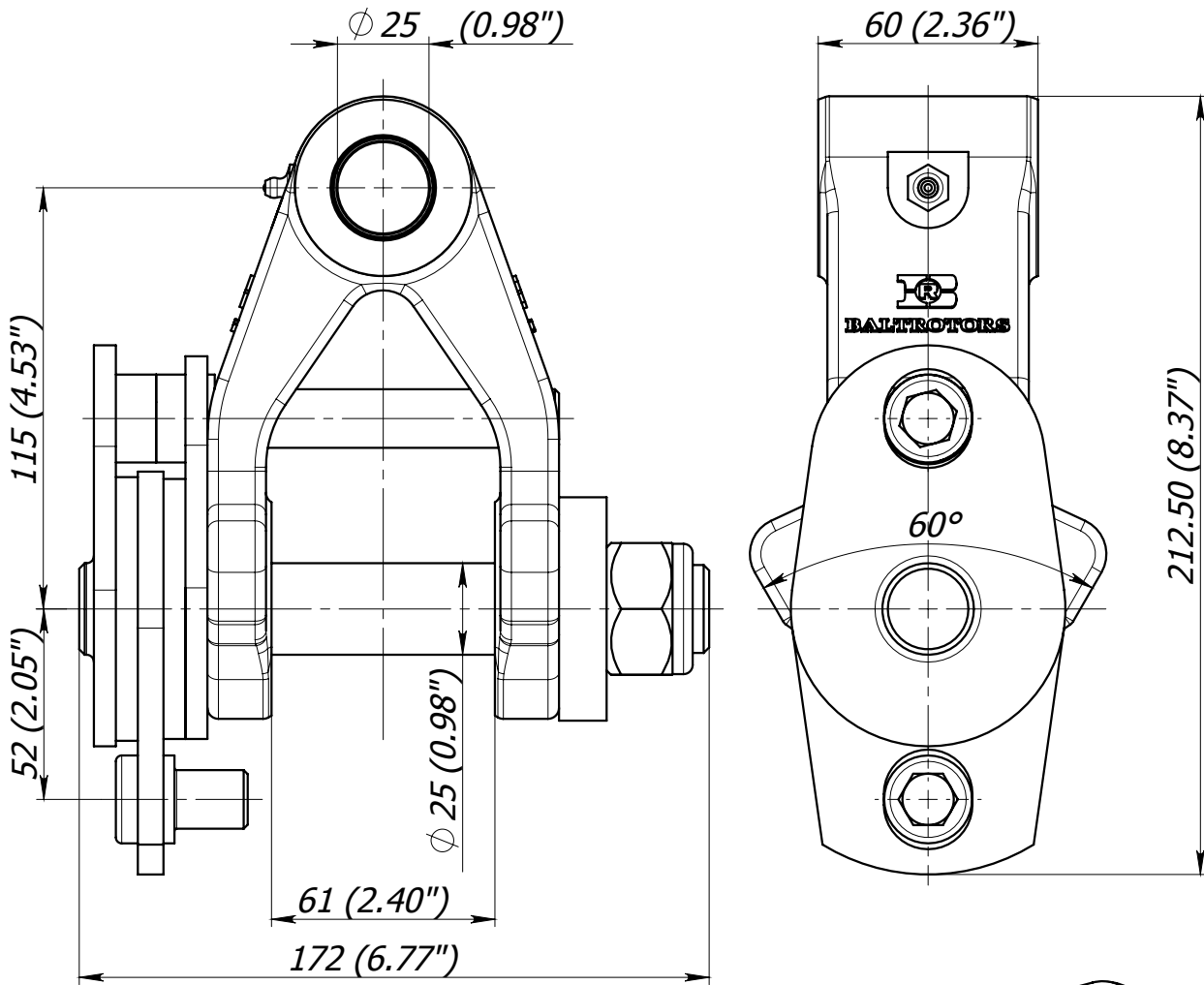


# LINK BRM 10-60-01



- \* Pin locking nut is tightened with a torque of 60 - 160 Nm (45 - 120 lb ft) dependent on desired brake power.
- \* Weight - 5 kg (11 lb)
- \* Fill grease Starplex EP 2, through lubricating nipple (pos. 12), until it will appear to the external surfaces. Greasing must be repeated after every 8 working hours of the link.

Sheet 1 of 2

2008.11.26.