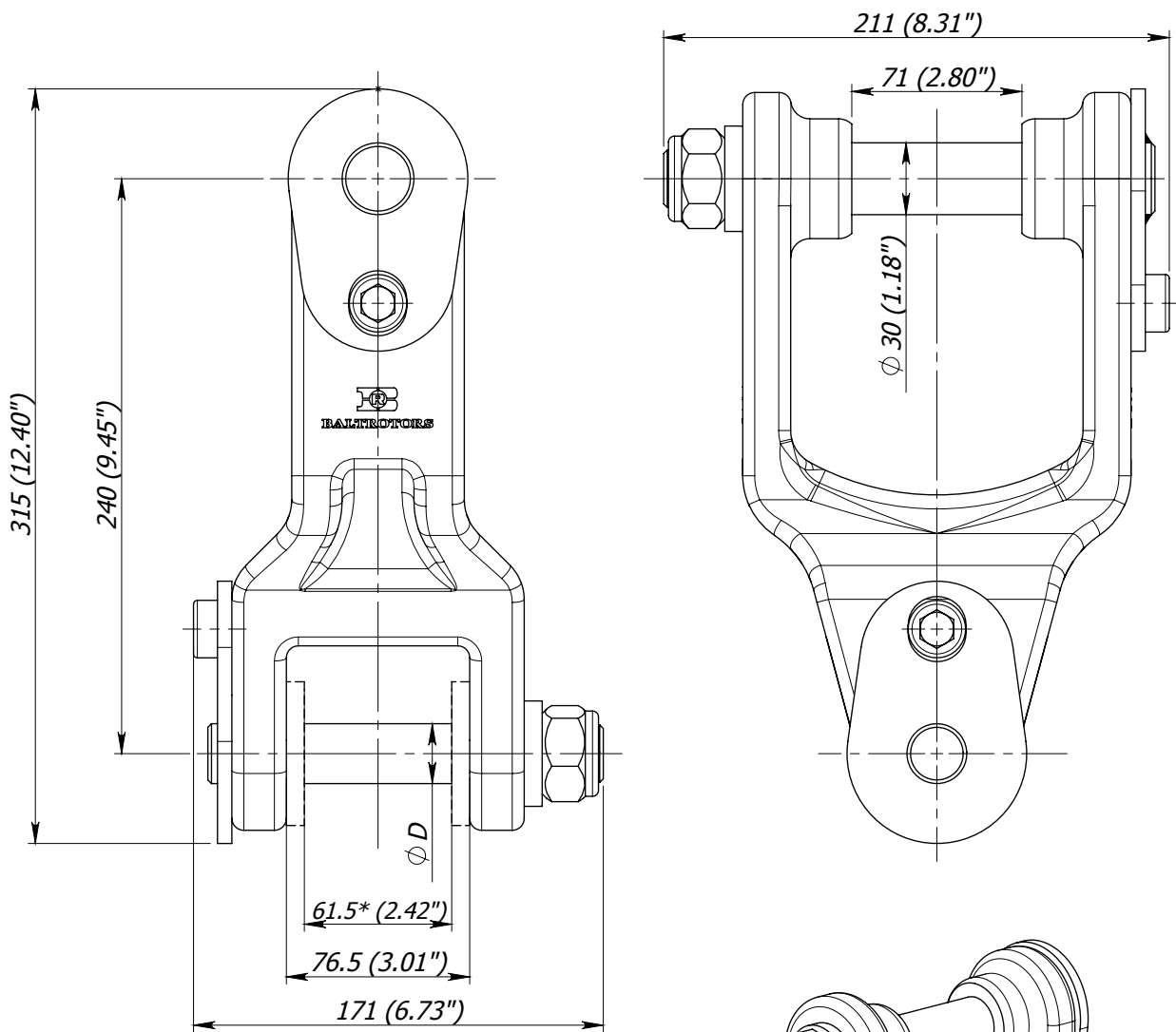


LINK BR 4-A



* Only by request for rotator GR 30

Link	Pin diameter D (mm)
BR 4-A	30 (1.18")

Serial number

- Pin locking nut is tightened with a torque of 120 Nm (89 lb ft)
- Weight - 12.5 ± 1 kg (27.56 ± 2.20 lb)

2013.02.22.