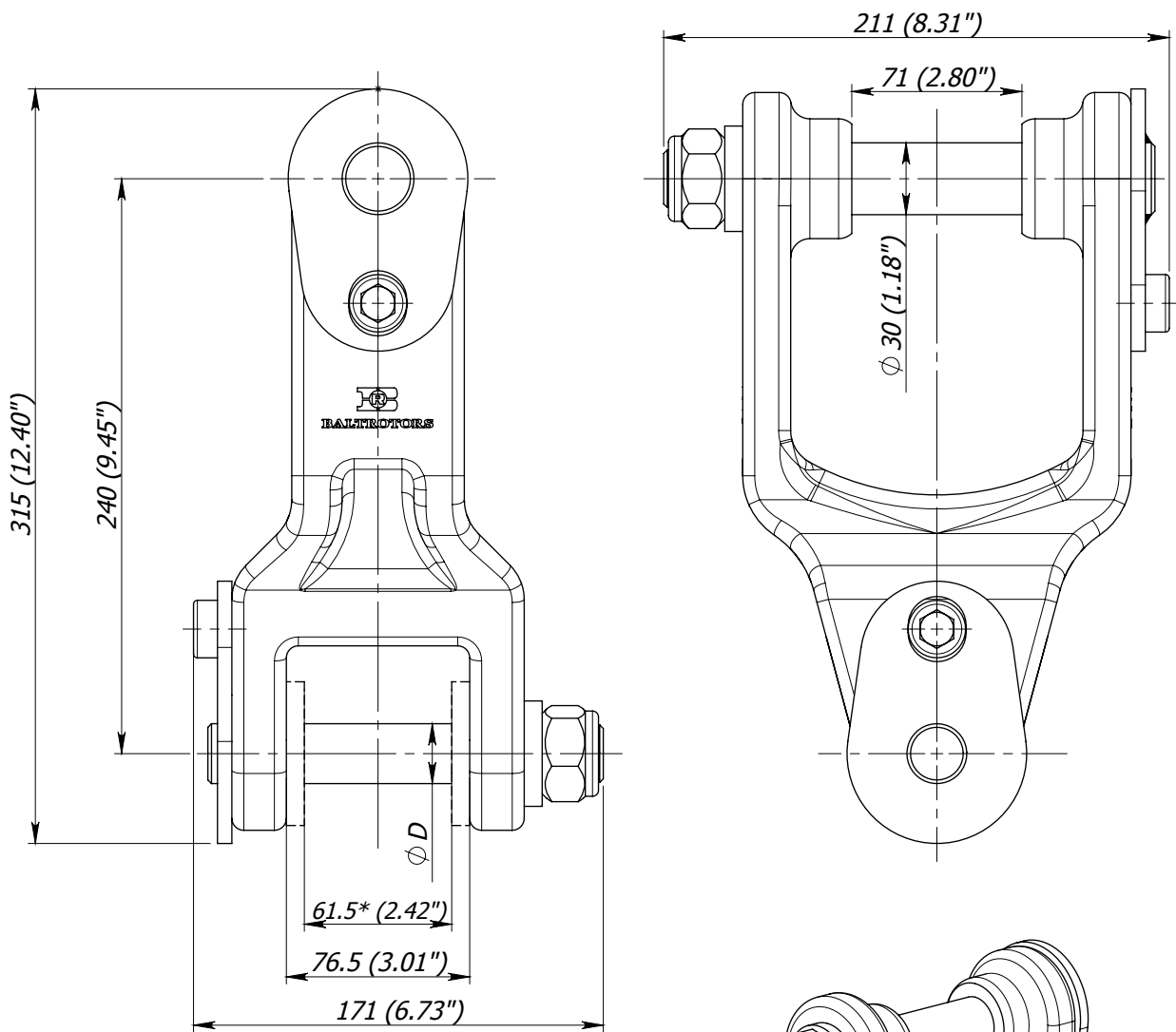
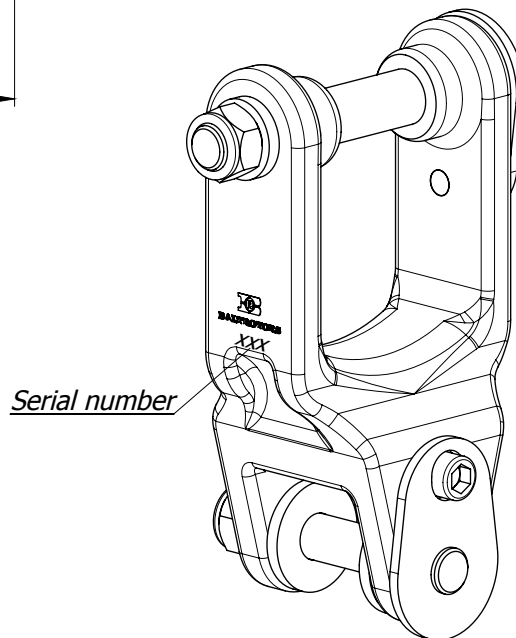


LINK BR 4



*** Only by request for rotator GR 30**

| Link | Pin diameter D (mm) |
|--------|---------------------|
| BR 4 | 25 (0.98") |
| BR 4-A | 30 (1.18") |



- Pin locking nut is tightened with a torque of 120 Nm (89 lb ft)
- Weight - 12.5 ± 1 kg (27.56 ± 2.20 lb)