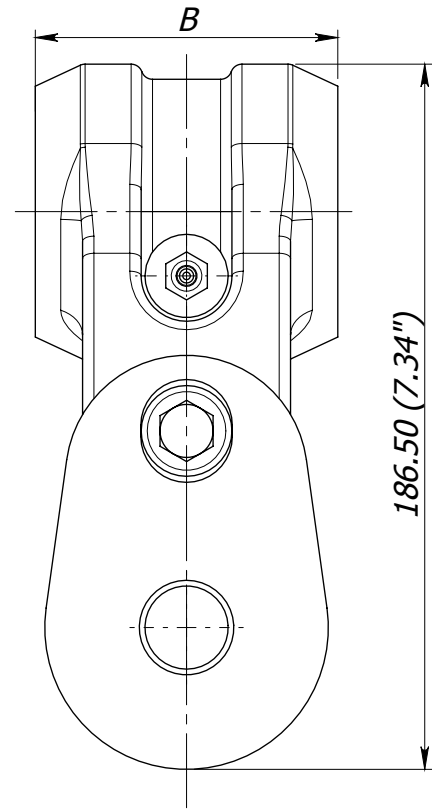
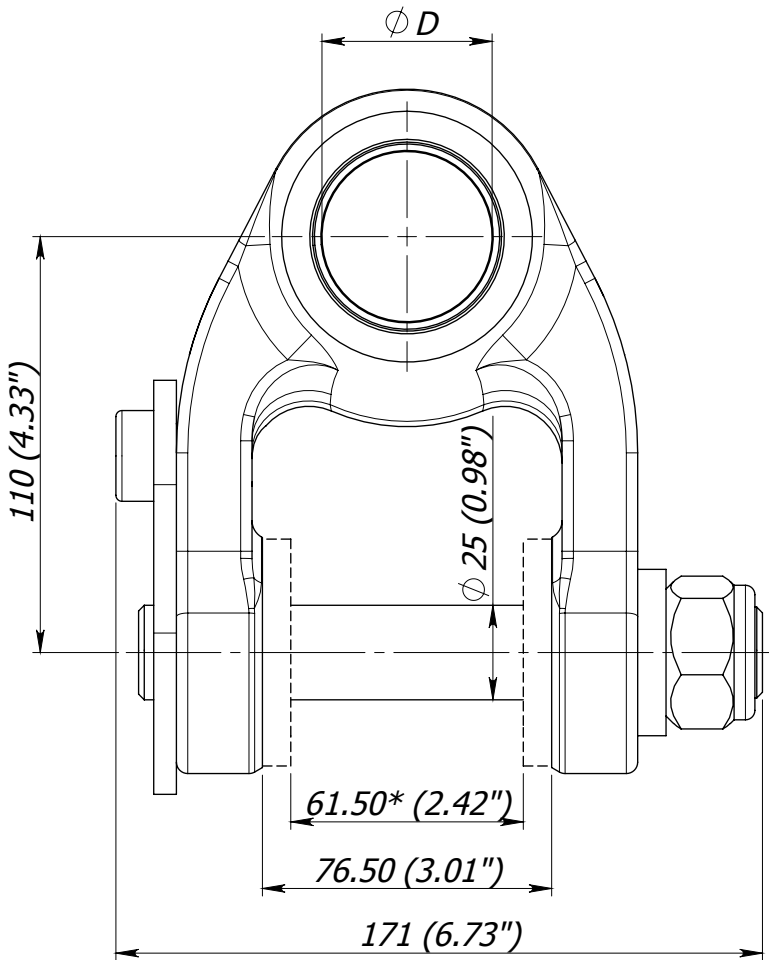
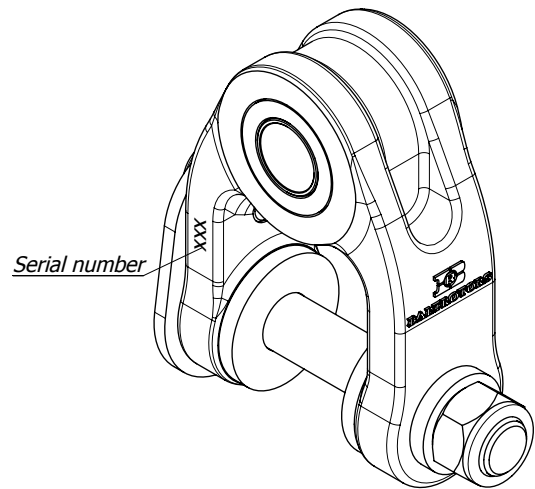


LINK BR 1



* Only by request for rotator GR 30

Dimensions			
Crane nose pivot pin diameter ϕD (mm)	Link width B (mm)		
	80 ⁰ _{-0.3} (3.15")	70 ⁰ _{-0.3} (2.76")	60 ⁰ _{-0.3} (2.36")
45 (1.77")	BR 1/80/45	BR 1/70/45	BR 1/60/45
40 (1.57")	BR 1/80/40	BR 1/70/40	BR 1/60/40
35 (1.38")	BR 1/80/35		BR 1/60/35
30 (1.18")	BR 1/80/30	BR 1/70/30	BR 1/60/30
25 (0.98")	BR 1/80/25	BR 1/70/25	BR 1/60/25
20 (0.79")	BR 1/80/20		



- Pin locking nut is tightened with a torque of 120 Nm (89 lb ft)
- Weight - 5.5±1 kg (12.12±2.20 lb)
- Fill grease Starplex EP 2, through lubricating nipple (pos. 9), until it will appear to the external surfaces. Greasing must be repeated after every 8 working hours of the link.

2013.02.22.